

Thyristor/Diode Modules

October 2012 Issue 3

IXYS UK's range of thyristor and diode modules, designed to industry standard outlines and with isolated bases is perfect for all your needs.

Available in 6 standard configurations, all devices offer full pressure contact construction for maximum reliability and performance at rated current.

These products have a V_{RRM}/V_{DRM} between 1200V to 3600V and are available as dual thyristor, dual diode or thyristor/diode options. Single diode/single thyristor options are also available

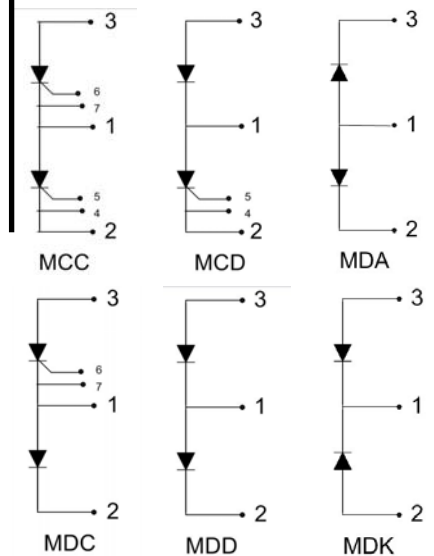
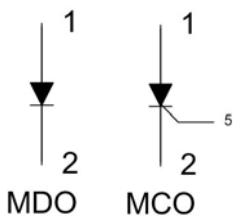
Other configurations are available on request. Please consult the Chippenham factory for more information.

Features and benefits

- V_{RRM}/V_{DRM} up to 3600V
- Electrically isolated baseplate
- Industry standard package
- UL recognition
- Simplifies mechanical design
- Rapid assembly
- Full pressure contact construction

6 configurations of dual diode/thyristor available

2 configurations of single diode/thyristor available



Applications



- Soft starts
- Industrial drives
- Wind power converters
- Welding
- Front end rectifiers



Product Brief – Thyristor/Diode Modules

Dual Thyristor Modules

Type	V _{RRM} V _{DRM} V	I _{TAV} A	@ T _C °C	I _{TRMS} A	I _{TSM} 125°C, 10ms A	V _{TO} V	r _T m?	T _{VJM} °C	R _{thJC} per die K/W	R _{thCH} per die K/W	Fig. No.
MCC320-xxio2	3000-3600	327	85	765	5000	1.15	0.80	125	0.065	0.02	W74
MCC431-xxio2	2000-2400	429	85	1020	10900	1	0.41	125	0.062	0.02	W74
MCC501-xxio2	1200-1800	503	85	1195	14500	0.85	0.30	125	0.062	0.02	W74
MCC552-xxio2	1200-1800	550	85	1300	17500	0.77	0.259	125	0.062	0.02	W74
MCO741-xxio1	2000-2200	700	85	2324	23400	0.900	0.210	125	0.0405	0.0100	W73
MCO801-xxio1	1400-1800	830	85	2530	30000	0.80	0.17	125	0.042	0.0100	W73

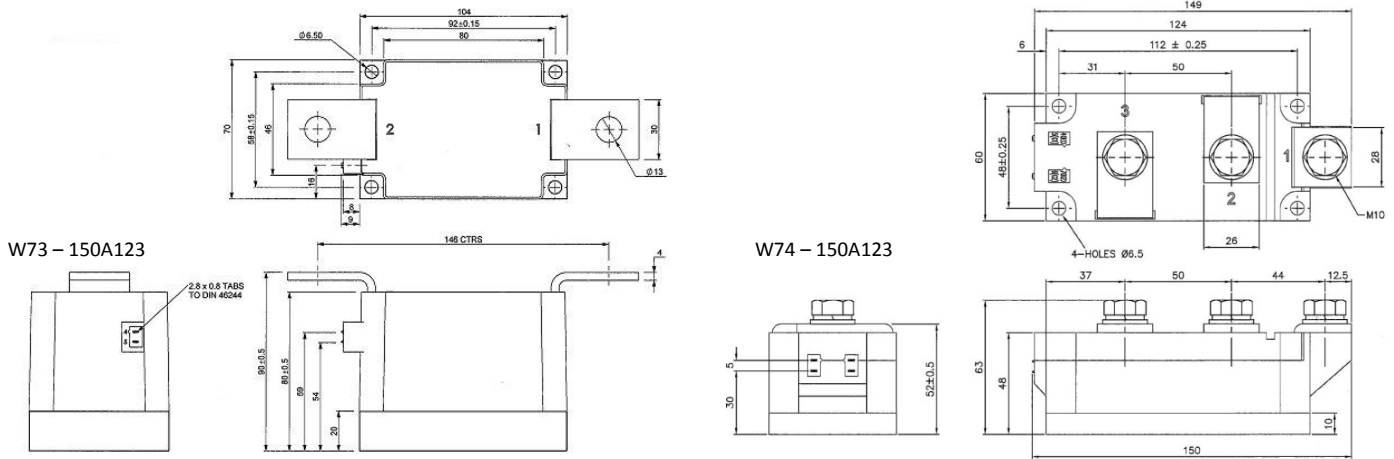
Thyristor/Diode Modules

Type	V _{RRM} V _{DRM} V	I _{TAV} A	@ T _C °C	I _{TRMS} A	I _{TSM} 125°C, 10ms A	V _{TO} V	r _T mW	T _{VJM} °C	R _{thJC} per die K/W	R _{thCH} per die K/W	Fig. No.
MCD320-xxio2	3000-3600	327	85	765	5000	1.15	0.80	125	0.065	0.02	W74
MDC320-xxio2	3000-3600	327	85	765	5000	1.15	0.80	125	0.065	0.02	W74
MCD431-xxio2	2000-2400	429	85	1020	10900	1.00	0.41	125	0.062	0.02	W74
MDC431-xxio2	2000-2400	429	85	1020	10900	1.00	0.41	125	0.062	0.02	W74
MCD501-xxio2	1200-1800	503	85	1195	14500	0.85	0.30	125	0.062	0.02	W74
MDC501-xxio2	1200-1800	503	85	1195	14500	0.85	0.30	125	0.062	0.02	W74
MCD552-xxio2	1200-1800	550	85	1300	17500	0.77	0.259	125	0.062	0.02	W74
MDC552-xxio2	1200-1800	550	85	1300	17500	0.77	0.259	125	0.062	0.02	W74

Dual/Single Diode Modules

Type	V _{RRM} V	I _{FAV} A	@ T _C °C	I _{FRMS} A	I _{FSM} 150°C, 10ms A	V _{TO} V	r _T mW	T _{VJM} °C	R _{thJC} per die K/W	R _{thCK} per die K/W	Fig. No.
MDA710-xxN2	2200-2600	708	85	1440	12750	0.80	0.35	150	0.062	0.02	W74
MDK710-xxN2	2200-2600	708	85	1440	12750	0.80	0.35	150	0.062	0.02	W74
MDD710-xxN2	2200-2600	708	85	1440	12750	0.80	0.35	150	0.062	0.02	W74
MDA810-xxN2	1200-1800	807	85	1661	17250	0.78	0.23	150	0.062	0.02	W74
MDK810-xxN2	1200-1800	807	85	1661	17250	0.78	0.23	150	0.062	0.02	W74
MDD810-xxN2	1200-1800	807	85	1661	17250	0.78	0.23	150	0.062	0.02	W74
MDO1201-xxN1	1400-2200	1200	94	1318	32700	0.80	0.17	160	0.042	0.01	W73

xx in part number indicates voltage grade – V_{RRM}/100



Certificate FM26085

IXYS UK Westcode Ltd's BS EN ISO9001 quality system is registered by BSI



Langley Park Way
Chippenham, SN15 1GE
United Kingdom
Tel: +44 (0)1249 444524
Fax: +44 (0)1249 659448
E-mail: sales@ixysuk.net



Edisonstr. 15
D-68623 Lamertheim
Germany
Tel: +49 (0) 6206 503-0
Fax: +44 (0) 6206 503627
E-mail: marcom@ixys.de

We are supported by a global network of local offices, representatives and distributors. Please visit our website for more information

www.ixysuk.com

www.ixys.com